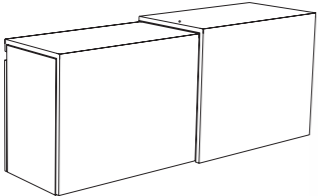
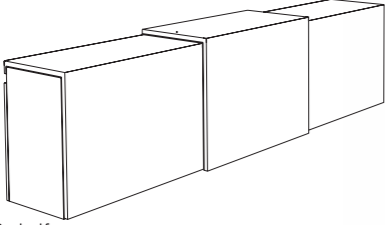
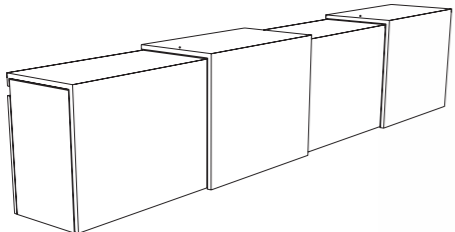
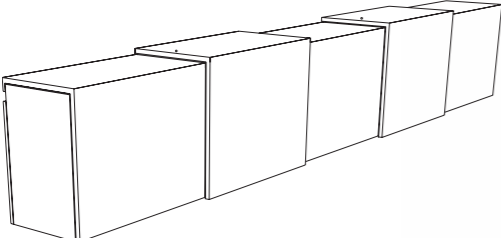


THE WALL	
82 x 202 x 55	IE22 - x
	
including 2 shelves	
82 x 302 x 55	IE23 - x
	
including 3 shelves	
82 x 402 x 55	IE24 - x
	
including 4 shelves	
82 x 502 x 55	IE25 - x
	
including 5 shelves	
Replac x with:	
<input type="checkbox"/> W = RAL 9003 - white	
<input checked="" type="checkbox"/> 3 = RAL 9005 - black	
ACCESSOIRES	
pull out frame	I901-x
system drawer	I941-x
shelf	I1SL-x

THE WALL

Dirk van Berkel

